



WADSWORTH HUNT CLUB

Hunt Club News

On the Web:

<http://www.wadsworthhuntclub.org>

Mailing Address:

Wadsworth Hunt Club
PO Box 85
Wadsworth, Ohio 44282

Grounds Address:

8445 Leatherman Road
Wadsworth, Ohio 44281

Officers:

President:

Mike Wilson
330-714-2165
Mdwilson52@aol.com

Vice President:

Bud Freeman
330-925-3317
Budf60@embarqmail.com

Membership Secretary:

John Pfeister
330-618-5089
Jp78whs@aol.com

Recording Secretary:

Scott Adkins
330-603-2505
Qcinsp8@aol.com

Treasurer:

Ron Jones
330-607-4211

Webmaster:

Rich Sponsler
330-336-7860
webmaster@wadsworthhuntclub.org

Monthly Meeting Minutes

June 25, 2019

The June meeting of the WHC was called to order by President Mike Wilson with the Pledge of Allegiance. Approximately 37 members were present. Officers and Board Members Present (In bold): **Mike Wilson, Bud Freeman, John Pfeister, Ron Jones, Scott Adkins**, Rich Sponsler, Dave Kollert, **Todd Figard, Jim Farnsworth, Jim Birbeck, Paul Bicksler, Jim Campbell, Todd Kollert, Kevin Hall.**

President's Message: Have a safe and enjoyable Independence Day.

Correspondence: Nothing to report.

Officer's Reports:

President: We are looking for a banquet chairman for a spring reverse raffle (Feb/Mar). Todd Figard will gladly assist anyone who is willing to take charge. Additionally, we are looking for a volunteer to MC the Fish Fry.

Vice Pres: Tickets for the Fish Fry, 175 out of 500 are out to be sold.

Treasurer: May's Report presented to membership. Report accepted.

Membership Secretary: 36 members still need to take the range orientation as of May.

Recording Secretary: It is a privilege to work for you, the membership. If there is anything you

would like to see changed in the newsletter please let me know. May's minutes accepted.

Webmaster: Nothing to report.

Committee Reports:

Firearms Range: Todd Figard. We will be trying a plastic sheet target board for the 25 yd range.

Archery Range: Kevin Hall has volunteered to be the Archery Range Officer. Thanks for volunteering Kevin.

Charitable Works: Nothing to report.

Pheasant Hunt: Wade Bishop (330-334-5176). Birds on order. 2 Nov is the hunt date.

First Shot: Jerry Sciarini (440-413-2324), 20 July 0900-1300. We still need 10-12 more volunteers. The date is quickly approaching.

Youth Hunting Camp: Jeanne Hines (330-730-4556). Get names in now for the Youth Hunting Camp as it fills up quickly. Contact Jeanne at jeanne.hines88@gmail.com. (This is a corrected email address.) For more info <https://lakeandtrails.org>

OLD BUSINESS:

Picnic Tables. Motion: Sell 5 picnic tables for \$75 each and keep 3 tables to be made into a feature wall at the WHC Clubhouse. Membership approved.

TAG Sale. 10 August. Drop off your items prior to 10 August at the clubhouse. Please place a tag on the item with the estimated value.



WADSWORTH HUNT CLUB

Hunt Club News

NEW BUSINESS:

Fish Fry Raffle. Motion: Use \$1000 to purchase door prizes at the Fish Fry. Membership approved.

Mini Raffle. Todd Figard has started a new mini raffle each month. June was a container of Federal .22LR. The winning name was not recorded by the secretary.

Fish Fry MC. We need a volunteer to MC the Fish Fry. If you have the voice and are not shy in front of a microphone, we need your help.

Chippewa Trap Club. WHC sponsors a youth in the Chippewa Trap Club. Congratulations to Bud Freeman and the Chippewa Trap Club! Both have been Ohio State Champions at the Varsity level for 10 years straight! This makes them the winningest team and coach in the whole United States! There have also been several placements at the National Level including National Champions.

Clubhouse Electronic Door Lock. The clubhouse door has been found not locked. At the end of the newsletter is a set of directions on how to use the new door lock. Please make sure the clubhouse is locked after you leave.

ANNOUNCEMENTS:

Next Range Orientation:

13 JUL 19 at 9:00 AM

Next Work Party:

13 JUL 19 10:00 AM

Next Meeting:

16 JUL 19 at WHC Grounds

Next Board Meeting:

16 JUL 19

(May be deferred to 20 AUG 19)
at WHC Grounds

50/50 Winner:

\$49 – Paul Bicksler

Door Prize Winners:

Craig Wasley, Shaun Fox, Dan Cochran, Phil Slifkin, Mike Evanich, John Kachmar

ADJOURNMENT:

Approximately 8:35 PM

CALENDAR:

13 Jul 19 Range Orientation

13 Jul 19 **Work Party**

16 Jul 19 WHC Monthly Meeting @ Club Grounds

20 Jul 19 **First Shots @ Club Grounds**
9:00AM-1:00PM

10 Aug 19 **6th Annual Tag Sale @ Club Grounds**

17 Aug 19 Range Orientation

20 Aug 19 WHC Monthly Meeting @ Club Grounds

14 Sep 19 Range Orientation

17 Sep 19 WHC Monthly Meeting @ Club Grounds

22 Sep 19 **Annual Fish Fry @ Wadsworth Eagles Club**
NOON-3:00PM

12 Oct 19 Range Orientation

15 Oct 19 WHC Monthly Meeting @ Club Grounds

2 Nov 19 **Pheasant Hunt**

9 Nov 19 Range Orientation

19 Nov 19 WHC Monthly Meeting @ **Wadsworth Eagles Club**

14 Dec 19 Range Orientation

NOTES: All Range Orientations start at 9:00 AM unless otherwise noted. Dress for the weather.

WHC Monthly Meetings start at 7:30 PM.




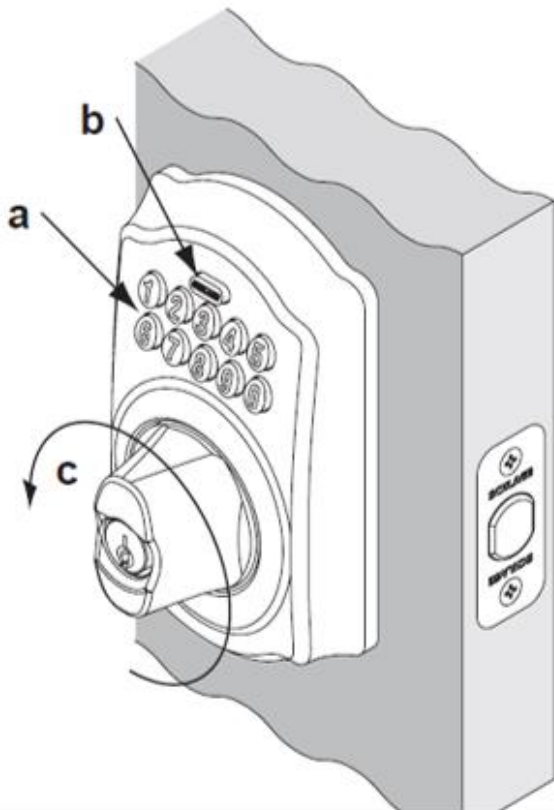
Hunt Club News

BE365 Lock Operation



(WHC Clubhouse Electronic Lock)

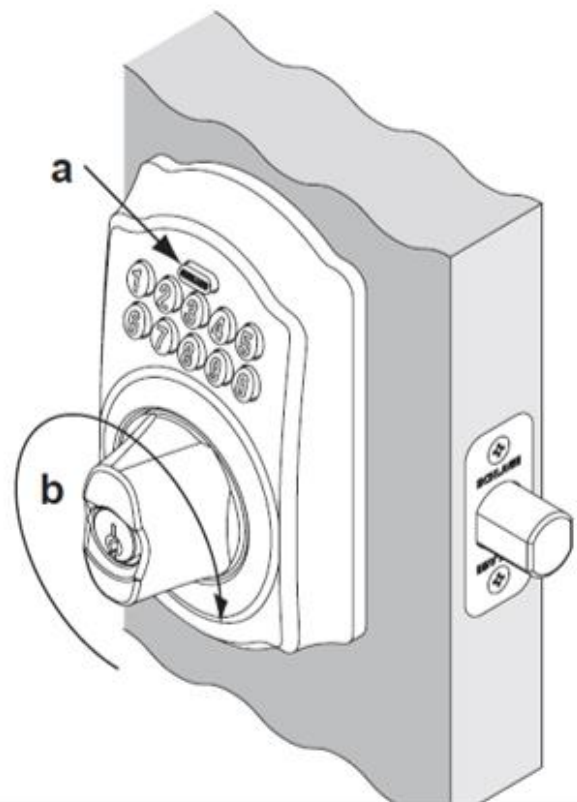
To Retract the Deadbolt

- Enter a valid four-digit user code.
- The  button will flash green.
- Rotate outside thumbturn within five seconds to retract deadbolt.



To Extend the Deadbolt

- Push  button.
- Rotate outside thumbturn while  button is lit to extend deadbolt.



You should be able to visually see the deadbolt extend from the door into the door frame through the space between the door and doorframe. If the door still opens by the door handle, try it again.

Below is a link to an excellent video explaining how to use the door lock.

<https://youtu.be/tUplyehUEOc>